



DESCRIPTION:

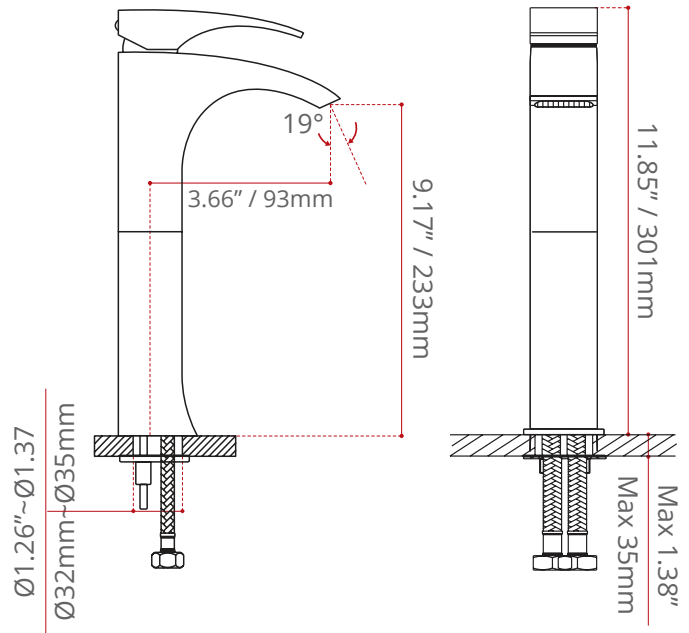
- 1-hole Installation.
- Chrome finish.
- Solid brass construction.
- Ceramic disc cartridge.
- Single lever.
- Complies with CSA standards.

PRESSURE:
60 PSI

FLOW RATE:
4.5 LPM

SHIPPING INFORMATION:

- Length: 14.18 / 360mm
- Width: 7.3" / 185mm
- Height: 3.15" / 80mm
- Net Weight: 1.5 kg / 3.3 lbs.
- Gross Weight: 2 kg / 4.4 lbs.



DISCLAIMER:
Measurements may vary $\pm \frac{1}{4}$ "
(Diagram Not to scale)